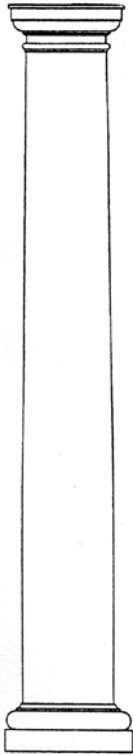


**Poly-Classic
Columns**

Architecturally proportioned columns are manufactured from fiberglass-reinforced polymer (FRP).

Other sizes available.



ROUND PLAIN

Poly-Classic Tapered Round Columns by Turncraft (includes cap and base)

SIZE	BUILDERS LIST PRICE-\$	TUSCAN LIST PRICE-\$	TUSCAN FLUTED LIST-\$
6" x 8'		143.80	
8" x 6'	111.60	122.80	
8" x 8'	123.15	134.35	180.15
8" x 9'	143.05	154.25	202.15
8" x 10'	151.45	162.65	217.40
10" x 8'	150.80	165.30	236.90
10" x 9'	177.75	192.25	258.15
10" x 10'	187.50	202.00	268.90
10" x 12'	281.40	295.90	369.90
12" x 8'	199.00	221.40	
12" x 9'	236.15	258.55	
12" x 10'	249.20	271.60	
12" x 12'	357.00	379.40	
12 x 16'	852.75	875.15	
14" x 8'		512.25	
14" x 10'		560.25	
14" x 12'		636.25	
16" x 8'		674.80	
16" x 10'		754.85	
16" x 12'		834.85	
16" x 16'		1494.14	

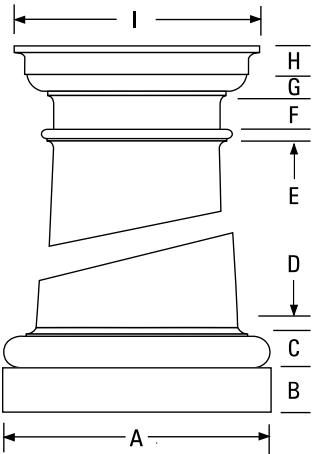
Poly-Classic Columns

Architecturally proportioned columns are manufactured from fiberglass-reinforced polymer (FRP).

Other sizes available.

SPLITS: Poly-Classic Tapered Round Columns by Turncraft (includes cap and base)

SIZE	BUILDERS LIST PRICE-\$	TUSCAN LIST PRICE-\$	TUSCAN FLUTED PRICE-\$
6" x 8'		191.40	
8" x 6'	167.85	179.95	
8" x 8'	170.85	182.95	237.60
8" x 9'	197.50	209.60	
8" x 10'	211.75	223.85	285.85
10" x 8'	199.90	215.65	297.75
10" x 9'	229.00	244.75	
10" x 10'	249.85	265.60	340.50
10" x 12'	362.00	377.75	433.20
12" x 8'	260.00	284.15	
12" x 10'	319.60	343.75	
12" x 12'	466.75	490.90	



TUSCAN CAP AND BASE

TUSCAN TAPERED ROUND MAX LOAD

SHAFT	MAX LOAD
6"	6 000
8"	10 000
10"	14 000
12"	18 000
14"	20 000
16"	20 000

TUSCAN TAPERED ROUND MEASUREMENTS

SHAFT				TUSCAN BASE					TUSCAN CAP						
outside diameter		inside diameter		plinth		base moulding			total	round			abacus		total
bottom	top	bottom	top	A	B	C	D	B-D	E	F	G	H	I	G-H	
6"	4-3/4"	4-3/4"	3-3/4"	7-31/32"	1-1/2"	1-1/4"	15/32"	3-7/32"	1/2"	31/32"	31/32"	1-1/16"	7-1/2"	2-1/32"	
8"	6-1/2"	6-3/4"	5-1/2"	10-7/8"	1-7/8"	1-3/4"	5/8"	4-1/4"	1/2"	1-3/4"	1-5/16"	1-3/8"	9-7/8"	2-11/16"	
10"	8-1/2"	8-3/8"	7-3/4"	13-1/2"	2-3/8"	2-1/8"	3/4"	5-1/4"	3/4"	1-5/8"	1-13/16"	1-3/4"	12-5/32"	3-9/16"	
12"	10"	10-3/4"	9-1/4"	16-1/4"	2-3/4"	2-3/8"	7/8"	6"	3/4"	1-3/32"	1-29/32"	2"	14-5/8"	3-29/32"	
14"	12"	11-1/2"	10-1/2"	18-19/32"	3-11/32"	2-31/32"	1"	7-5/16"	1"	2-9/32"	2-15/32"	2-5/16"	16-31/32"	4-25/32"	
16"	13-1/2"	13-1/2"	12"	21-5/16"	3-27/32"	3-11/32"	1-1/8"	8-5/16"	1"	2-1/4"	2-23/32"	2-23/32"	19-3/32"	5-7/16"	

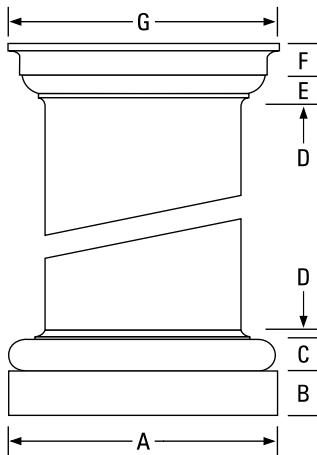
Poly-Classic Columns

Architecturally proportioned columns are manufactured from fiberglass-reinforced polymer (FRP).

Other sizes available.

Poly-Classic Non-Tapered Round Columns by Turncraft (includes cap and base)

SIZE	TUSCAN LIST PRICE-\$
8" x 10'	216.20
10" x 10'	269.50
12" x 10'	362.25



NON-TAPERED ROUND TUSCAN CAP AND BASE

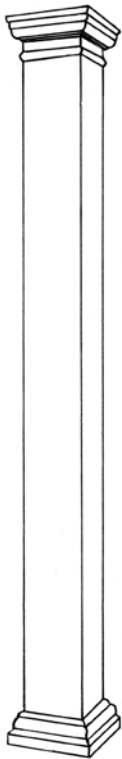
TUSCAN NON-TAPERED ROUND MEASUREMENTS

SHAFT		TUSCAN BASE					TUSCAN CAP					MAX LOAD
outside diameter	inside diameter	plinth		base moulding		total	round			total		
		A	B	C	D	B-D	E	F	G	E-F		
8"	6-3/4"	10-7/8"	1-7/8"	1-3/4"	5/8"	4-1/4"	1-13/16"	1-3/4"	12-5/32"	3-9/16"	10 000	
10"	8-3/8"	13-1/2"	2-3/8"	2-1/8"	3/4"	5-1/4"	1-29/32"	2"	14-5/8"	3-29/32"	14 000	
12"	10-3/4"	16-1/4"	2-3/4"	2-3/8"	7/8"	6"	2-15/32"	2-5/16"	16-31/32"	4-25/32"	18 000	

Poly-Classic Columns

Architecturally proportioned columns are manufactured from fiberglass-reinforced polymer (FRP).

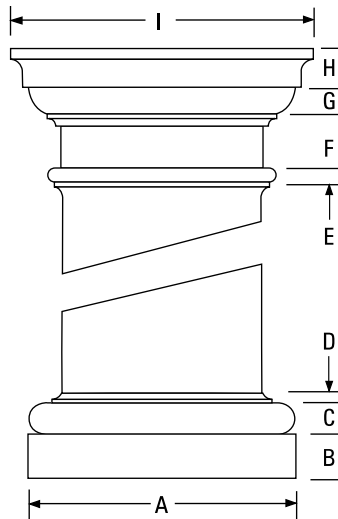
Other sizes available.



SQUARE PLAIN

Poly-Classic Non-Tapered Square Columns by Turncraft (includes cap and base)

SIZE	TUSCAN LIST PRICE-\$	SPLIT LIST PRICE-\$
6" x 8'	204.25	
8" x 8'	268.70	
8" x 9'	299.80	
8" x 10'	315.30	424.75
10" x 8'	347.27	
10" x 10'	406.50	559.25
10" x 12'	448.85	
12" x 8'	457.62	
12" x 10'	558.62	
12" x 12'	613.22	
12 x 16'	1031.07	



NON-TAPERED SQUARE TUSCAN CAP AND BASE

TUSCAN NON-TAPERED SQUARE MAX LOAD

SHAFT	MAX LOAD
6"	6 000
8"	10 000
10"	12 800
12"	18 000

TUSCAN NON-TAPERED SQUARE MEASUREMENTS

SHAFT				TUSCAN BASE					TUSCAN CAP						
outside width		inside width		plinth		base moulding			total	round			abacus		total
bottom	top	bottom	top	A	B	C	D	B-D	E	F	G	H	I	G-H	
6"	6"	2-3/8"	2-3/8"	8-1/16"	1-1/2"	1-1/4"	15/32"	3-7/32"	3/4"	1"	31/32"	1-1/16"	8-7/16"	2-1/32"	
8"	8"	4-3/8"	4-3/8"	10-7/8"	1-7/8"	1-3/4"	5/8"	4-1/4"	3/4"	1-5/16"	1-5/16"	1-3/8"	11-1/4"	2-11/16"	
10"	10"	7-3/16"	7-3/16"	13-1/2"	2-3/8"	2-1/8"	3/4"	5-1/4"	3/4"	1-9/16"	1-13/16"	1-3/4"	13-7/32"	3-9/16"	
12"	12"	10-5/8"	10-5/8"	17"	2-3/4"	2-3/8"	7/8"	6"	3/4"	1-1/8"	1-7/8"	2"	17-1/4"	3-7/8"	

Poly-Classic Columns

Architecturally proportioned columns are manufactured from fiberglass-reinforced polymer (FRP).

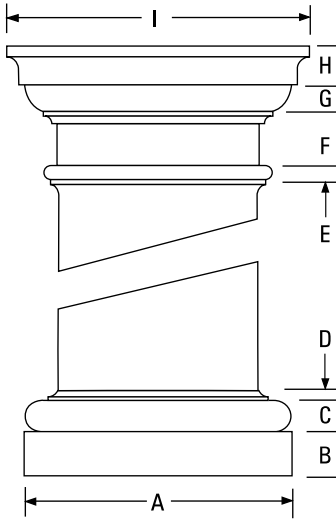
Other sizes available.

Duraglass Non-Tapered Square Columns by Turncraft (includes cap and base)

SIZE	LIST PRICE-\$	SPLIT LIST PRICE-\$
8" x 8'	214.85	
8" x 10'	248.80	346.10
10" x 8'	246.45	
10" x 10'	285.55	426.00

Miscellaneous

SIZE / NO.	ITEM DESCRIPTION	LIST PRICE-\$
8"	Attic Cap and Base Set	66.50
10"	Attic Cap and Base Set	110.15
12"	Attic Cap and Base Set	141.10
PC71760	Poly Column Intallation Kit	7.25
PC72665	Poly Column Split Kit	58.50



DURAGLASS SQUARE CAP AND BASE

DURAGLASS TUSCAN NON-TAPERED SQUARE MAX LOAD

SHAFT	MAX LOAD
8"	5 000
10"	6 000

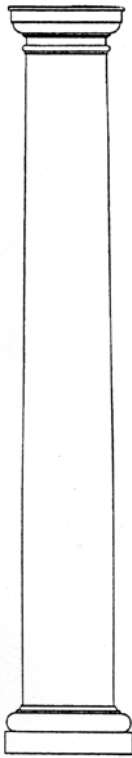
DURAGLASS TUSCAN NON-TAPERED SQUARE MEASUREMENTS

SHAFT				TUSCAN BASE					TUSCAN CAP						
outside width		inside width		plinth		base moulding			total	round			abacus		total
bottom	top	bottom	top	A	B	C	D	B-D	E	F	G	H	I	G-H	
8"	8"	7-1/8"	7-1/8"	10-9/16"	1-3/4"	1-5/8"	1/2"	3-7/8"	1-1/2"	1-3/4"	1-5/16"	1-3/8"	10-11/16"	2-11/16"	
10"	10"	9-1/8"	9-1/8"	13-3/16"	2-3/8"	2-1/8"	3/4"	5-1/4"	1-1/2"	1-5/8"	1-13/16"	1-3/4"	12-7/8"	3-9/16"	

Turncraft Wood Columns

Other sizes available.
Non-stock allow 4 weeks.

The colonial round wood columns are manufactured from kiln-dried ponderosa white pine and are water- repellent and toxic-treated; solid staves with finger joint and/or edge gluing; turned area is finish sanded; caps and bases are high-density polyurethane



ROUND
PLAIN

Colonial Round Wood Columns (cap and base sets sold separately)

SIZE	DESIGN NO.	LIST PRICE—\$ PLAIN	LIST SPLITTING CHARGE—\$
6" x 8'	1068	92.93	27.80
8" x 8'	1088	109.98	27.80
8" x 10'	0810	139.23	33.40
10" x 8'	1108	147.13	27.80
10" x 10'	1110	177.28	33.40

Polyurethane Cap and Base Sets—for round wood columns only (sold in sets only, for interior use only, no vent holes)

DESCRIPTION	LIST PRICE—\$
6" Poly Cap and Base Set	25.32
8" Poly Cap and Base Set	31.27
10" Poly Cap and Base Set	43.02

Wood Cap and Base Sets—for round wood columns only (sold in sets only, for interior use only, no vent holes)

DESCRIPTION	LIST PRICE—\$
6" Wood Cap and Base Set	40.00
8" Wood Cap and Base Set	42.00
10" Wood Cap and Base Set	62.00

Column Measurements

NOMINAL SHAFT DIAMETER	OUTSIDE DIAMETER		INSIDE DIAMETER		MAX LOAD—#
	bottom	top	bottom	top	
6"	5-5/8"	4-1/4"	3"	1-3/4"	2 095
8"	7-5/8"	6-1/4"	5"	3-1/2"	3 258
10"	9-5/8"	8-1/4"	7-1/8"	5-1/2"	4 268
12"	11-5/8"	10-1/4"	9"	7-1/2"	5 173